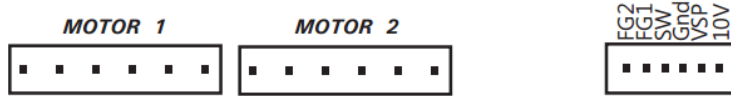


EC Motor Controller

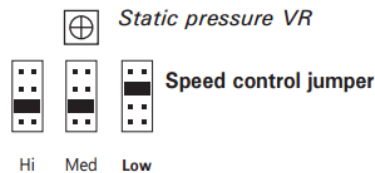


EC Motor Controller

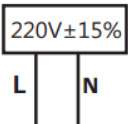
Model: RSC-FC3AD V2

! ATTENTION :

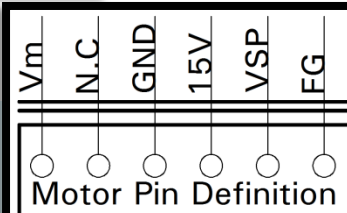
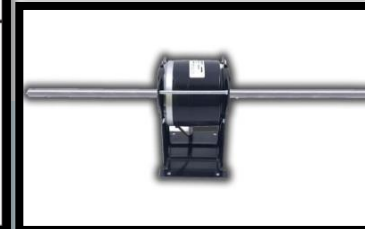
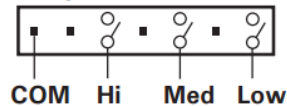
1. This product does not support hot plugging.
2. Wait 20 seconds before removing the motor connector after the AC source OFF.
3. Do not fall the product.
4. Before the installation, make sure AC power source is off.
5. Wrong wiring/installation would cause warranty loss.
6. MAX RATING: 150W



AC Source



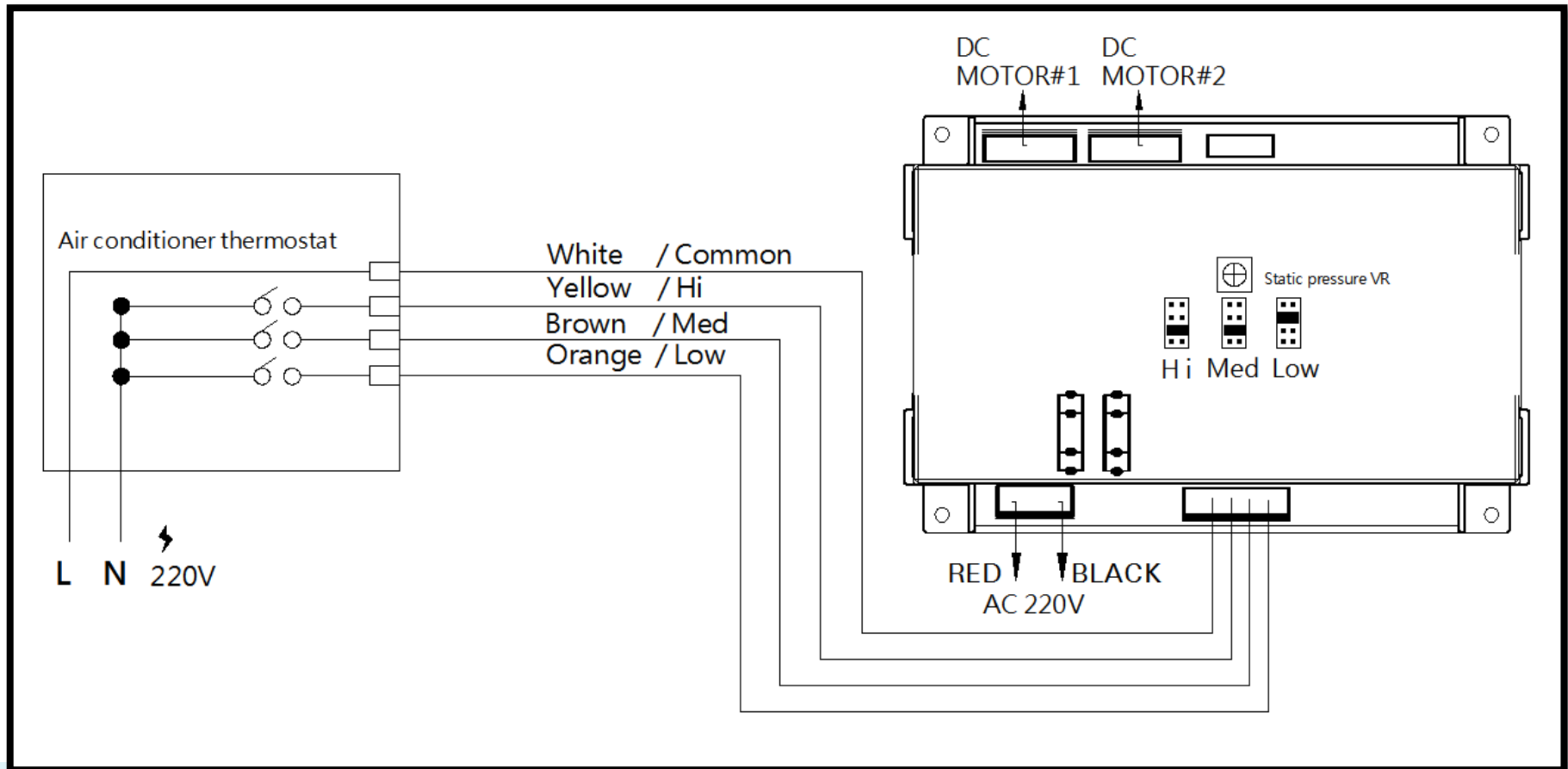
Speed Switch



- This product can transform AC source to DC source to operate DC brushless motor.
- It can provide three different motor speeds via the speed switch. Each speed has four adjustments and one potentiometer to reduce all speeds at same time.
- Its EC control function accepts external control board and a potentiometer.
- This product only accept A.C 220V.

EC Motor Controller

Three speed method



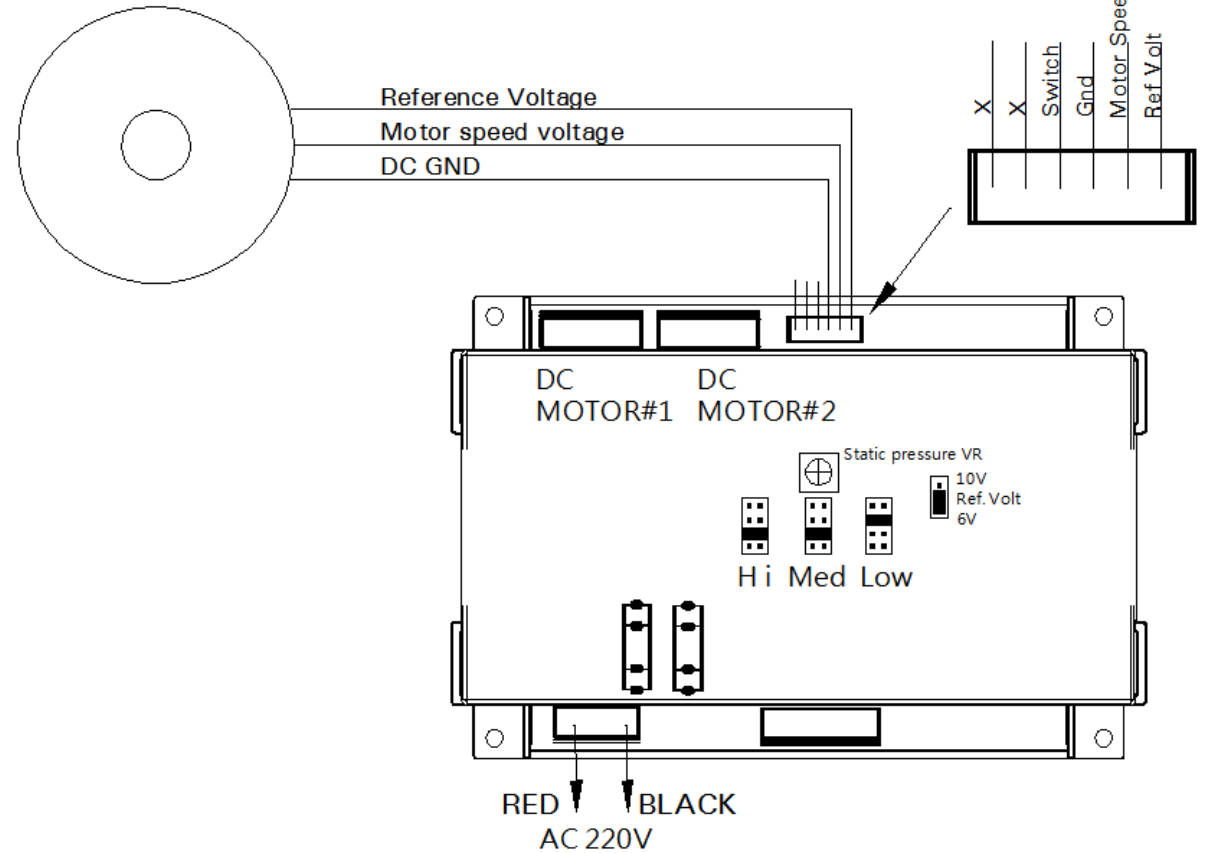
Basic Diagram

- This product needs independent AC source.
- Another four wires insert to AC controller like normal AC motor.
- Three piece of 2.5mm jumper are preset for the HI, Med, Low RPM.
- Static Pressure potentiometer can reduce three speeds at the same time.

EC Motor Controller

One speed method

Potentiometer



Basic Diagram

Speed Voltage

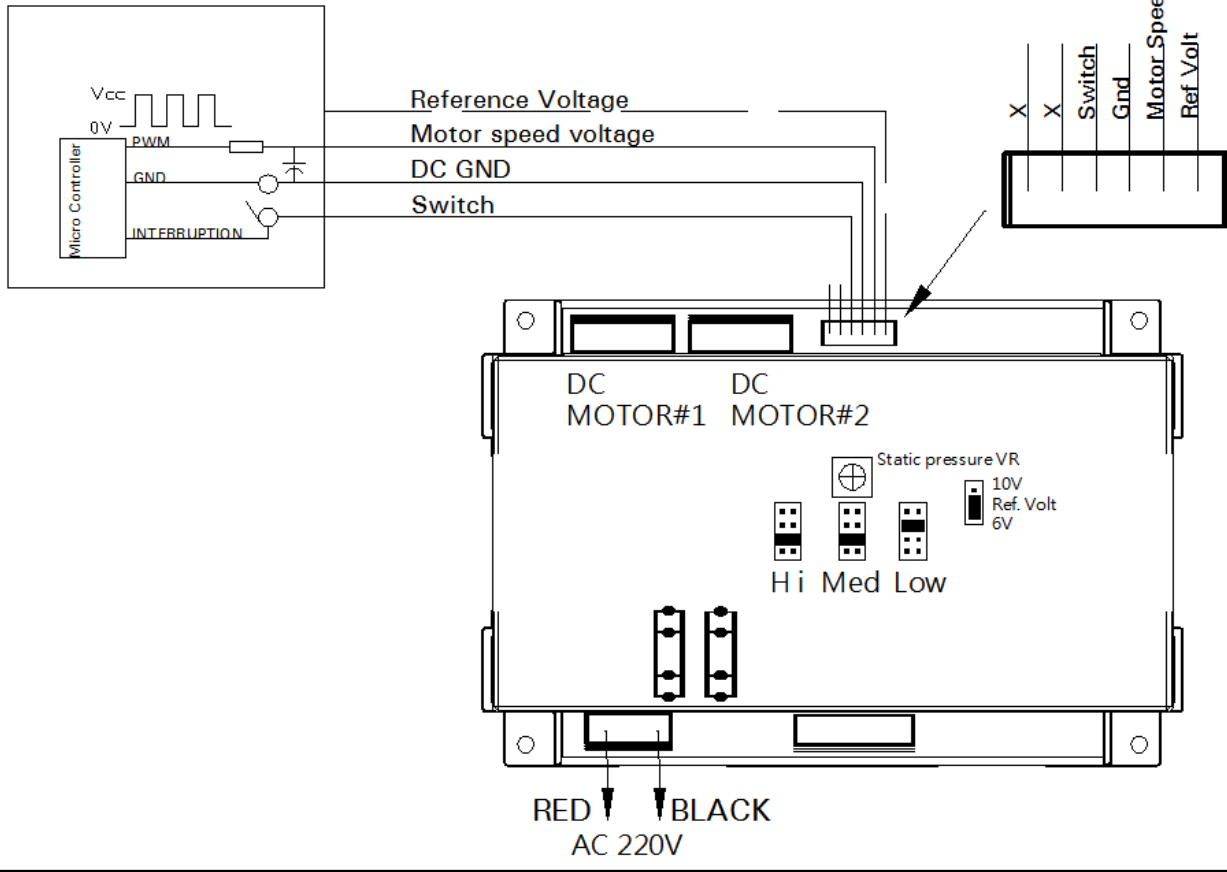
- 1 ~ 10V
- 2 ~ 6V
- 1 ~ 5V

- This product needs independent AC source.
- Connect 3 wires to a potentiometer.
- There are normally three different type speed voltage of controlling BLDC.
- Our motor is original set to 2 ~ 6V method.

EC Motor Controller

External Controller

Control Board



Basic Diagram

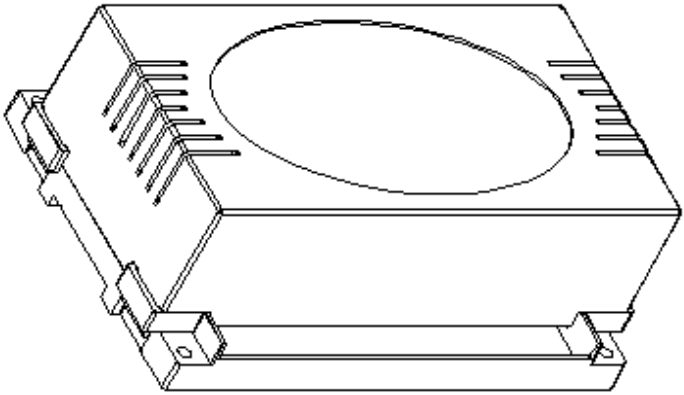
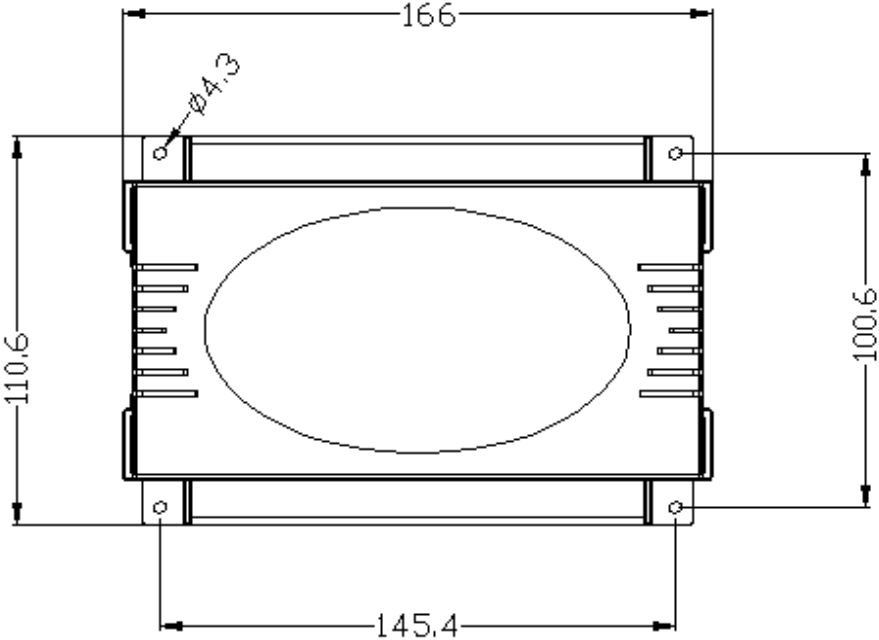
Ref. Voltage

- 10V
- 6V

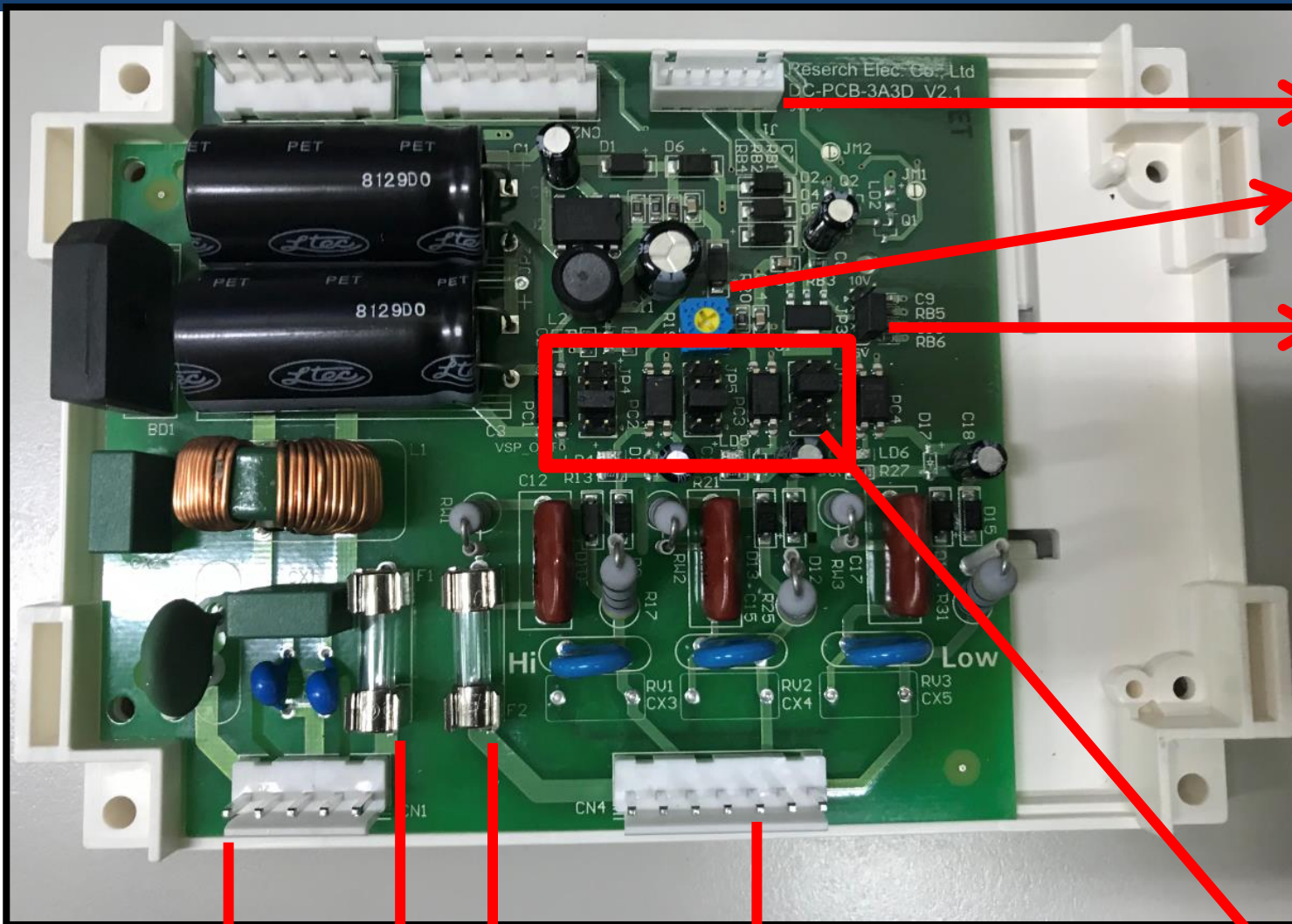
- This product needs independent AC source.
- Connect 2 ~ 4 wires to external control board.
- Connect "switch pin" to "Gnd" can cut off "Reference voltage".
 - This method would be unavailable if the ref. volt has not been used.

EC Motor Controller

Drawing



Technical Information



EC Controller

Static Pressure Potentiometer

Ref. Volt Switch

Source	4A Fuse	0.3A Fuse	3 speed switch	Jumpers of speed switch
--------	---------	-----------	----------------	-------------------------